

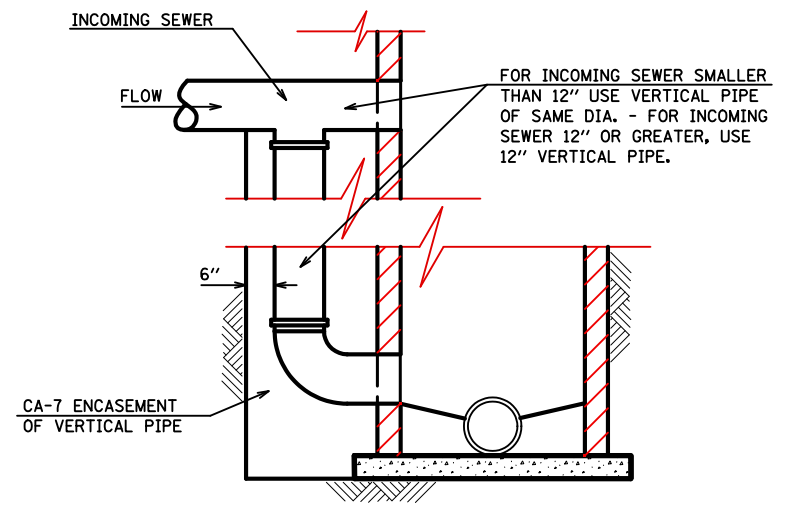
BOTTOM SLAB: 3500 PSI CONCRETE OR PRECAST REINFORCED CONCRETE SLAB ON 6" SAND CUSHION BOTTOM SLAB, MAY BE PRECAST MONOLITHIC WITH MANHOLE WALL SECTION

SECTION A-A

IF AREA UNDER THE MANHOLE IS DISTURBED DURING CONSTRUCTION, THE BACKFILL SHALL BE THOROUGHLY COMPACTED TO THE SATISFACTION OF THE ENGINEER.

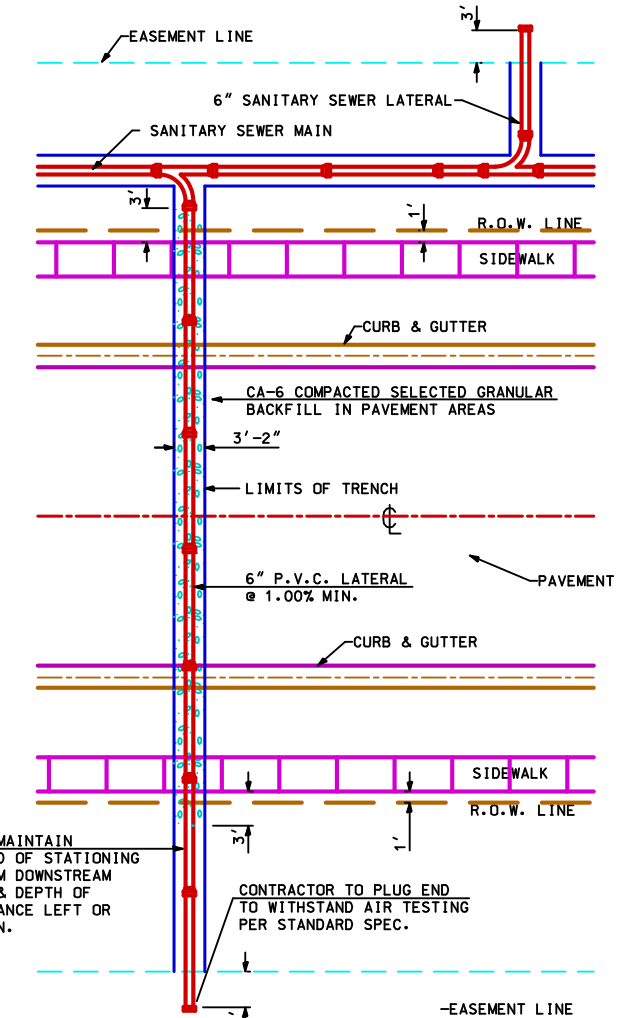
SEPARATE SANITARY SEWER MANHOLES SUBJECT TO SATURATED SOIL CONDITIONS OR SURFACE SUBMERGENCE SHALL BE EQUIPPED WITH CHIMNEY SEALS AND WATER TIGHT MANHOLE COVERS.

MANHOLE, TYPE A
NOT TO SCALE



DROP MANHOLE CONNECTION
NOT TO SCALE

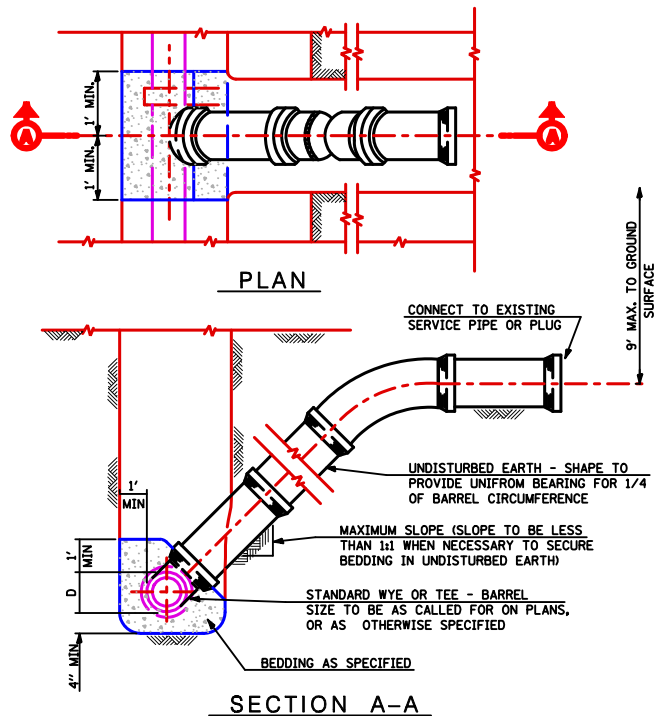
TO BE USED IN CONJUNCTION WITH TYPE "A" MANHOLES WHERE SEWER ENTERS 2'-0" OR MORE ABOVE LOWEST INVERT.



TYPICAL SANITARY SEWER LATERAL

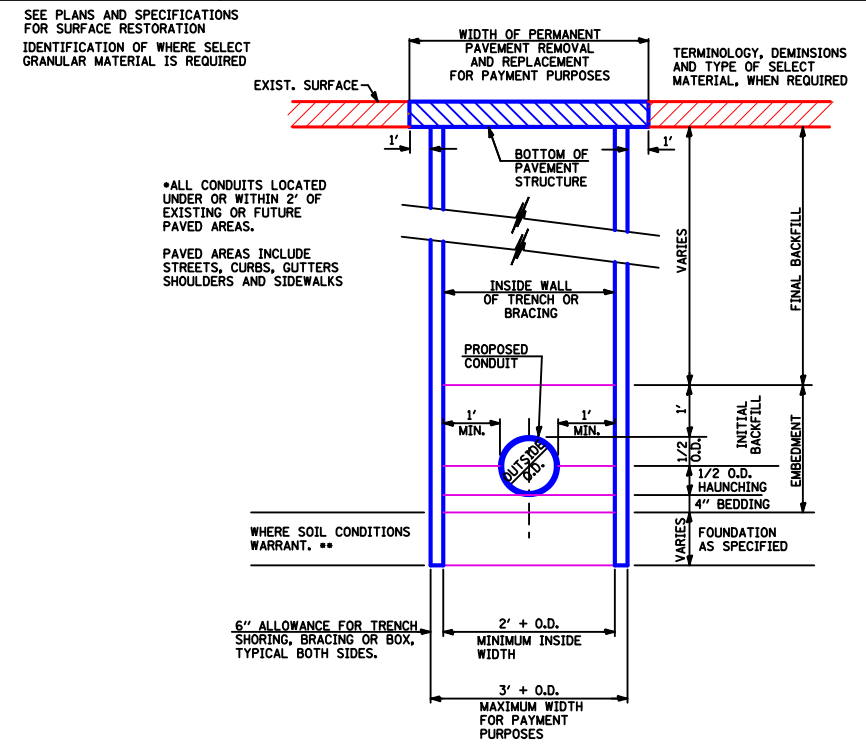
CONTRACTOR TO MAINTAIN AS-BUILT RECORD OF STATIONING OF LATERAL FROM DOWNSTREAM SEWER MANHOLE & DEPTH OF LATERAL & DISTANCE LEFT OR RIGHT FROM MAIN.
CONTRACTOR TO PLUG END TO WITHSTAND AIR TESTING PER STANDARD SPEC.

GENERAL: CONTRACTOR SHALL EXTEND LATERAL PIPE A MINIMUM OF THREE FEET ABOVE THE FINISHED GRADE OF THE LOT TO ENABLE LOCATION OF THE LATERAL PIPE IN THE FUTURE.
CONTRACTOR SHALL OBTAIN PERMIT AS REQUIRED FOR STREET CROSSINGS.
SPECIFICATIONS: ALL WORK INSTALLATION, MATERIALS, TESTING AND PROCEDURES OF CONSTRUCTION SHALL CONFORM TO THE STANDARD SPECIFICATIONS FOR WATER AND SEWER MAIN CONSTRUCTION IN ILLINOIS, LATEST EDITION.



TYPICAL RISER FOR SERVICE LATERAL
NOT TO SCALE

NOTE:
1. RISERS TO BE CONSTRUCTED IN LIEU OF WYES WHERE SEWER DEPTH EXCEEDS 12'-0". FOR PIPE MATERIAL AND CONCRETE SEE SPECIFICATIONS.



TYPICAL DETAIL CONDUIT INSTALLATION

SEE PLANS AND SPECIFICATIONS FOR SURFACE RESTORATION IDENTIFICATION OF WHERE SELECT GRANULAR MATERIAL IS REQUIRED

WIDTH OF PERMANENT PAVEMENT REMOVAL AND REPLACEMENT FOR PAYMENT PURPOSES

TERMINOLOGY, DEMINIONS AND TYPE OF SELECT MATERIAL, WHEN REQUIRED

EXIST. SURFACE

1'

BOTTOM OF PAVEMENT STRUCTURE

VARIES

INSIDE WALL OF TRENCH OR BRACING

PROPOSED CONDUIT

1' MIN.

1' MIN.

1'

INITIAL BACKFILL

1/2 O.D. HAUNCHING

4" BEDDING

FOUNDATION AS SPECIFIED

WHERE SOIL CONDITIONS WARRANT. **

6" ALLOWANCE FOR TRENCH SHORING, BRACING OR BOX, TYPICAL BOTH SIDES.

2' + O.D. MINIMUM INSIDE WIDTH

3' + O.D. MAXIMUM WIDTH FOR PAYMENT PURPOSES

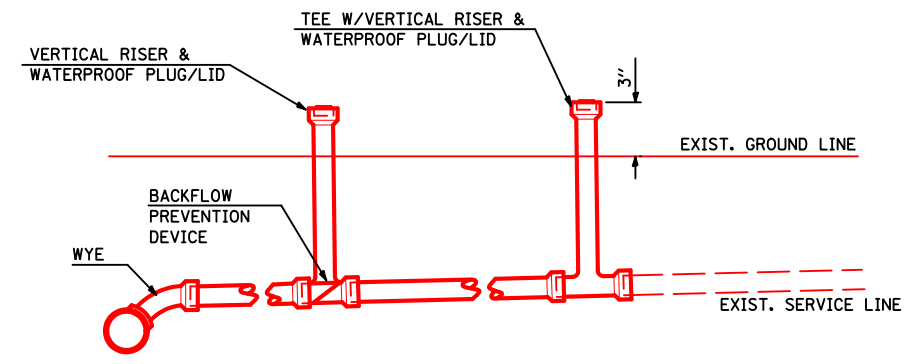
FINAL BACKFILL

EMBEDMENT

*INDICATES ELIGIBLE FOR PAYMENT AS SELECT GRANULAR BACKFILL OTHERWISE INCIDENTAL TO THE PIPE.

**INDICATES ELIGIBLE FOR PAYMENT AS SELECT FOUNDATION MATERIAL.

TRENCH BOX SHALL NOT EXTEND BELOW TOP OF PIPE, HOWEVER, IT SHALL NOT EXCEED 2 FEET FROM THE BOTTOM OF THE TRENCH.



TYPICAL CLEAN OUT DETAIL

REV	DATE	DESCRIPTION

NAME/DATE:

Village of Hamel

111 South Old U.S. 66 • P.O. Box 945 • Hamel, Illinois 62046
(618) 638-2484

VILLAGE OF HAMEL
STANDARD SPECIFICATIONS
FOR TYPICAL SANITARY SEWER CONSTRUCTION DETAILS